

TITLE: JEEVES PRO-RST DUMBWATER

20X30X36
SWING FRONT BACK PLAN VIEW

REVISIONS

REV	DESCRIPTION	DATE	BY

STOPS: 2 IN-LINE OPP.

OPENINGS: 2 @ LOWER, UPPER

TRAVEL: T.B.O.

<input checked="" type="checkbox"/> SWING	<input checked="" type="checkbox"/> DRYWALL CONSTRUCTION
<input type="checkbox"/> HOISTWAY FLOOR LOADING	<input type="checkbox"/> MASONRY CONSTRUCTION
<input checked="" type="checkbox"/> DOORS	<input checked="" type="checkbox"/> PLAIN STEEL - PRIMED
<input type="checkbox"/>	<input type="checkbox"/> COUNTER LOADING
<input type="checkbox"/>	<input type="checkbox"/> STAINLESS STEEL - #4

EMERGENCY RELEASE

HG-1 SINGLE CONTACT DOOR LOCK & CONTACT NEMA 1

HG-2 DOUBLE CONTACT INTERLOCK NEMA 1

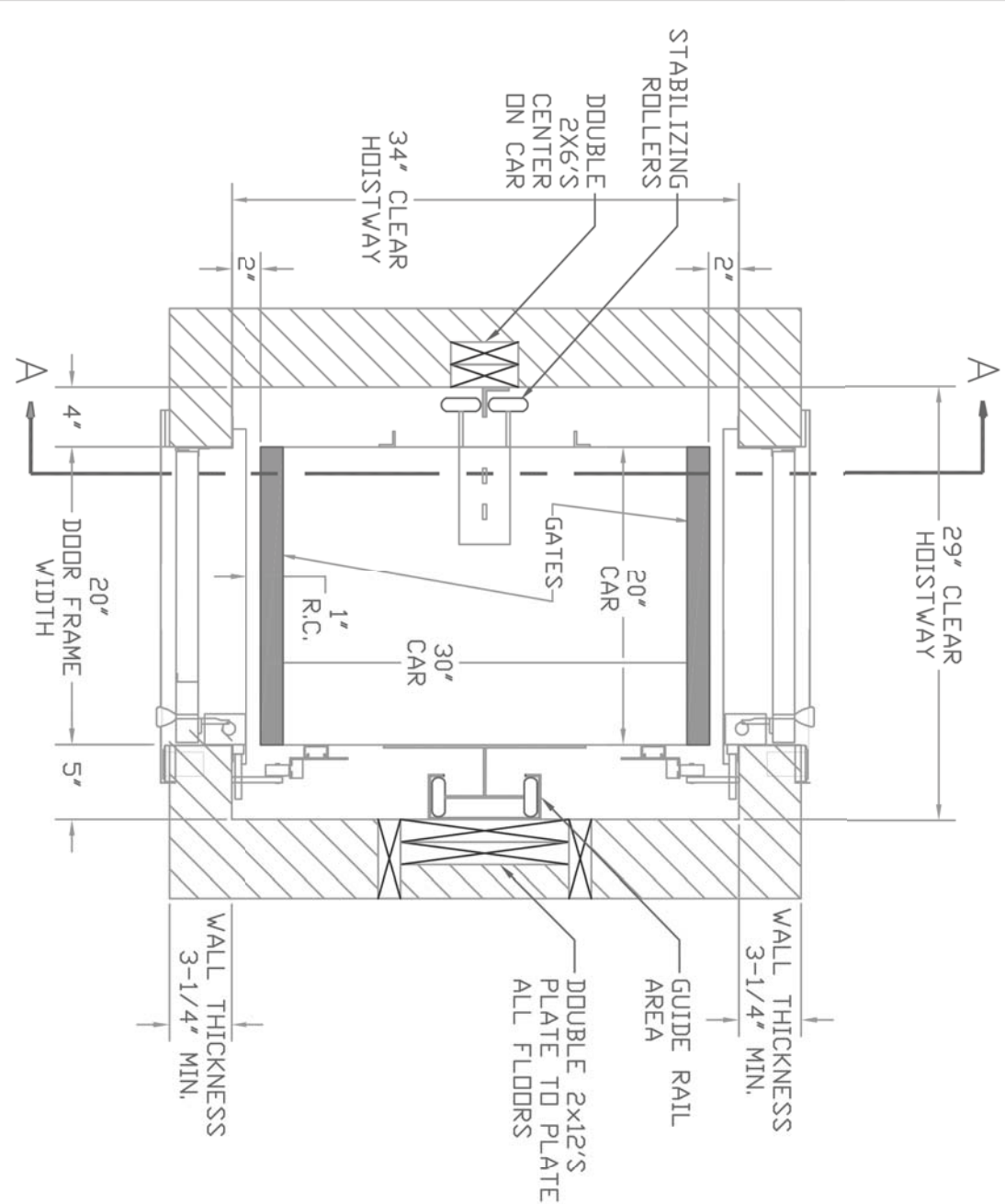
WALL MOUNTED 24V PUSHBUTTON STATIONS:
 NON-ILLUMINATED ILLUMINATED
 BUTTONS: 1 2 3 4 5

CAR GATE	<input checked="" type="checkbox"/> BIRCH WOOD	<input checked="" type="checkbox"/> ALUMINIUM
ACCESS DOOR	<input checked="" type="checkbox"/> SLIDE-UP	<input checked="" type="checkbox"/> BY: Nationwide lifts
	<input type="checkbox"/> PLAIN STEEL	<input type="checkbox"/> STAINLESS STEEL - #4
	<input type="checkbox"/> WOOD	<input type="checkbox"/> BY OTHERS

DUMBWATER CAN BE INSTALLED THRU ROUGH OPENING HOWEVER INSTALLATION IS EASIER IF THE BOTTOM FLOOR DOOR WALL IS LEFT OFF UNTIL UNIT IS INSTALLED.

POWER SUPPLY: A LOCKABLE FUSED DISCONNECT MUST BE PROVIDED IN ACCORDANCE WITH LOCAL ELECTRICAL CODES. THE SUPPLY MUST BE A 115V, 20A DEDICATED CIRCUIT.

DOORS: DOORS MUST MEET LOCAL FIRE CODE. INTERLOCK DEVICES ARE BUILT INTO DOOR



HOISTWAY: THE HOISTWAY MUST BE IN ACCORDANCE WITH "SAFETY CODE FOR ELEVATORS AND ESCALATORS" (ASME A17.1) AND ALL STATE AND LOCAL CODES.

PLUMB HOISTWAY: DUE TO CLOSE RUNNING CLEARANCES OWNER/AGENT MUST ENSURE THAT HOISTWAY IS PLUMB, AND SQUARE AND IS IN ACCORDANCE WITH DIMENSIONS ON THESE DRAWINGS.

CUSTOMER: _____

REINFORCED WALL: THE RAIL WALL MUST BE REINFORCED WITH DOUBLE 2X12 PLANKS AS SHOWN ON THE DRAWINGS. THE MACHINE AND RAIL SYSTEM REQUIRES THESE 2X12 PLANKS FOR SUPPORT.

MACHINE ROOM: MACHINE ROOM MAY BE LOCATED WITHIN THE HOISTWAY ON THE BOTTOM FLOOR OR IN A CLOSET ADJACENT TO THE HOISTWAY (BEHIND THE RAIL WALL). THE MACHINE ROOM MUST HAVE A LOCKABLE ACCESS DOOR. THIS DOOR MUST REMAINED LOCKED AT ALL TIMES.

SHIP TO: _____

APPROVED BY: _____

OPENING: BI-PARTING

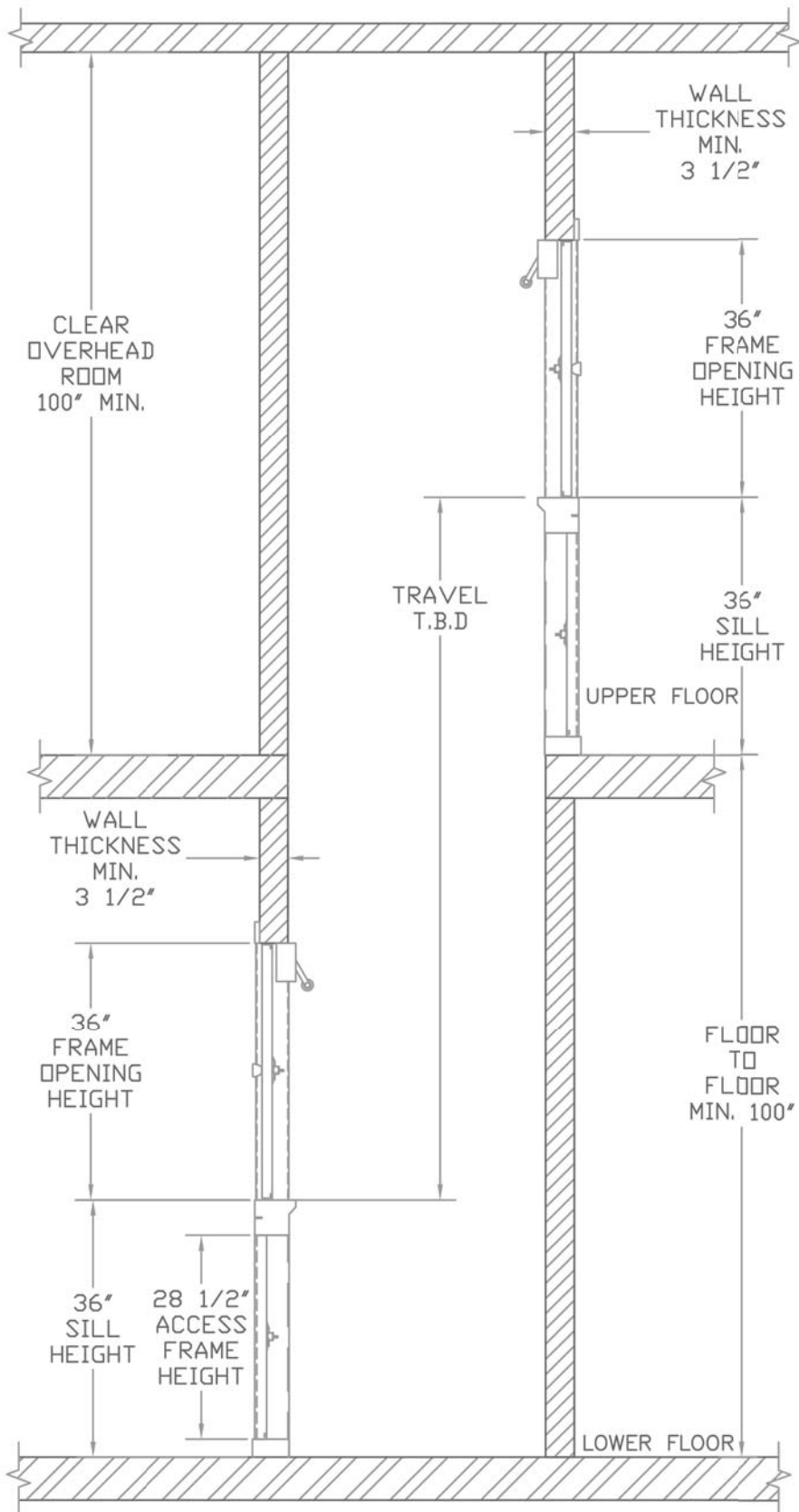
DWG NO. -----

JOB NAME: _____

DATE APPROVED: _____

SHEET 1 OF 2

DATE: 10/26/09



CUSTOMER:		SHIP TO:		APPROVED BY:		TITLE: DUMBWAITER SECTION ELEVATION "A-A"	
JOB NAME:		DATE APPROVED:		OPENING: SWING		SHEET 2 OF 2	
				DWG NO. RST FB2		DATE: 10/21/09	

